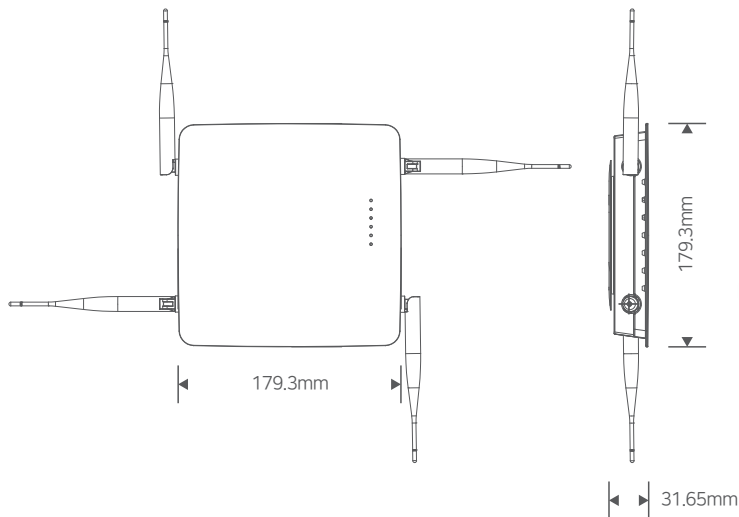


Gateway G-2000



Technical Details

Dimensions(mm)	179.3 x 179.3 x 31.65	Power Supply	5V DC / 2A or PoE (external power supply)
Weight(g)	434(Including Dipole ANT's)	Power Consumption	8W(typical)
Antennas	Dipole Antenna SMT / 2.4Ghz, 5dBi	Operating Temperature	0 ~ 40°C
Tags Supported	Up to 10,000 Tags per AP	Operating Humidity	10 ~ 80%
Transmission Range	30 meters indoors (Radius based on AP)	Packing Unit	10 Gateways / Box
Status LED	Various colors according to the operating condition	Compliance	KC, CE, FCC, JAPAN-MIC, WPC